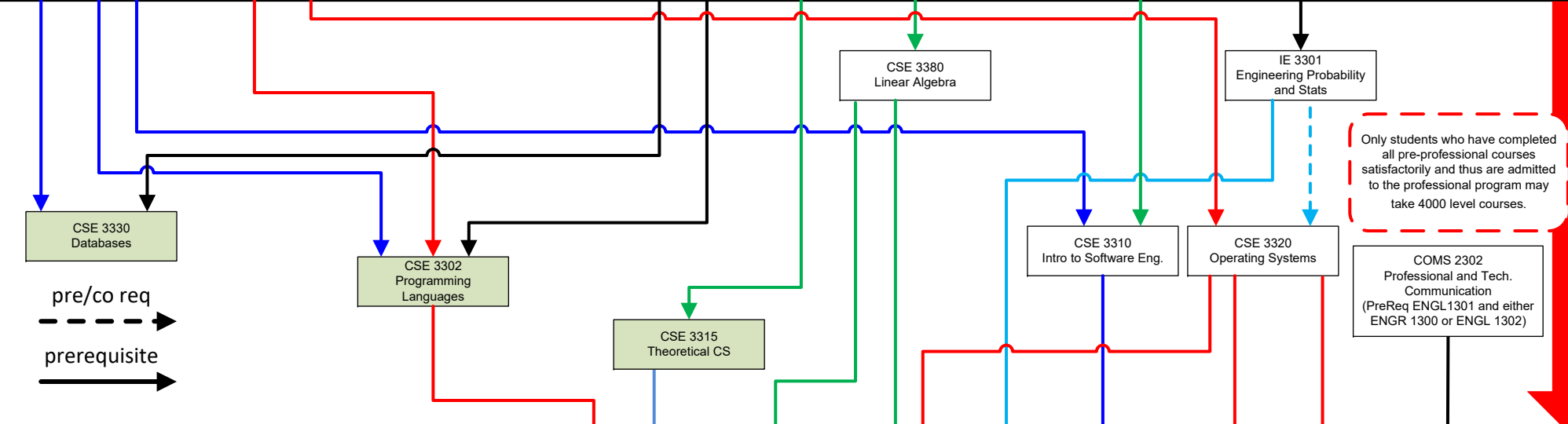
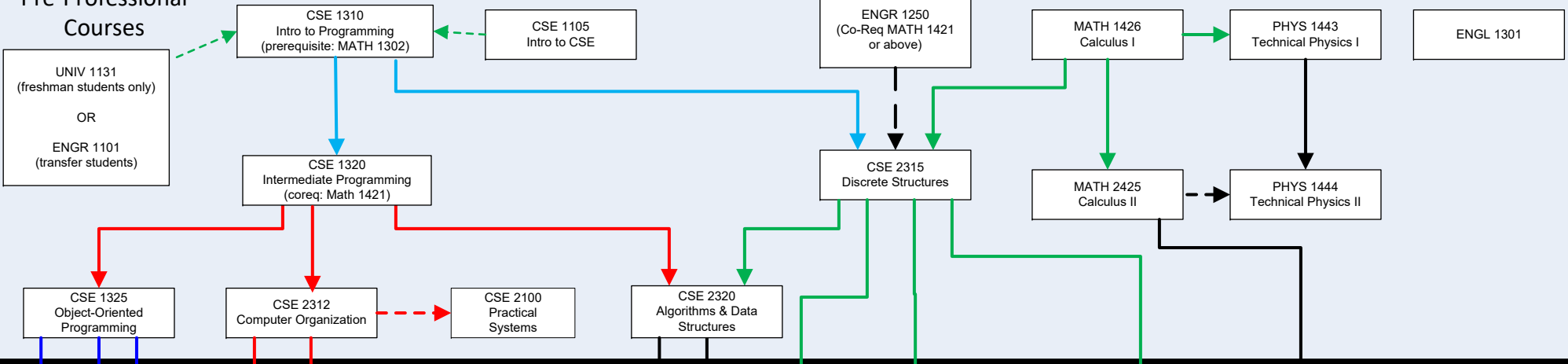
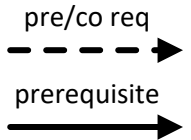


Pre-Professional Courses



Only students who have completed all pre-professional courses satisfactorily and thus are admitted to the professional program may take 4000 level courses.

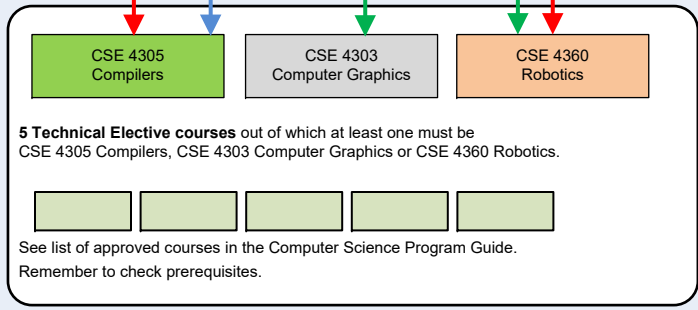


Foreign Language
If required, two semesters of the same language

- General Education**
- Language/Philosophy/Culture elective
 - HIST 1311
 - HIST 1312
 - POLS 2311
 - POLS 2312
 - Creative Arts elective
 - Social/Behavioral (IE 2308 or ECON 2305)

- Math and Science Electives**
- 3 hours of Math electives
 - 4 hours of Science electives
- See list of approved courses in CS Program Guide.

4000 Level Courses



The Senior Design courses must be taken in consecutive semesters: (Fall and Spring), (Spring and Summer), or (Summer and Fall). Spring and Fall is NOT an option.