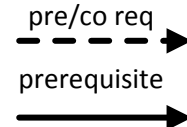
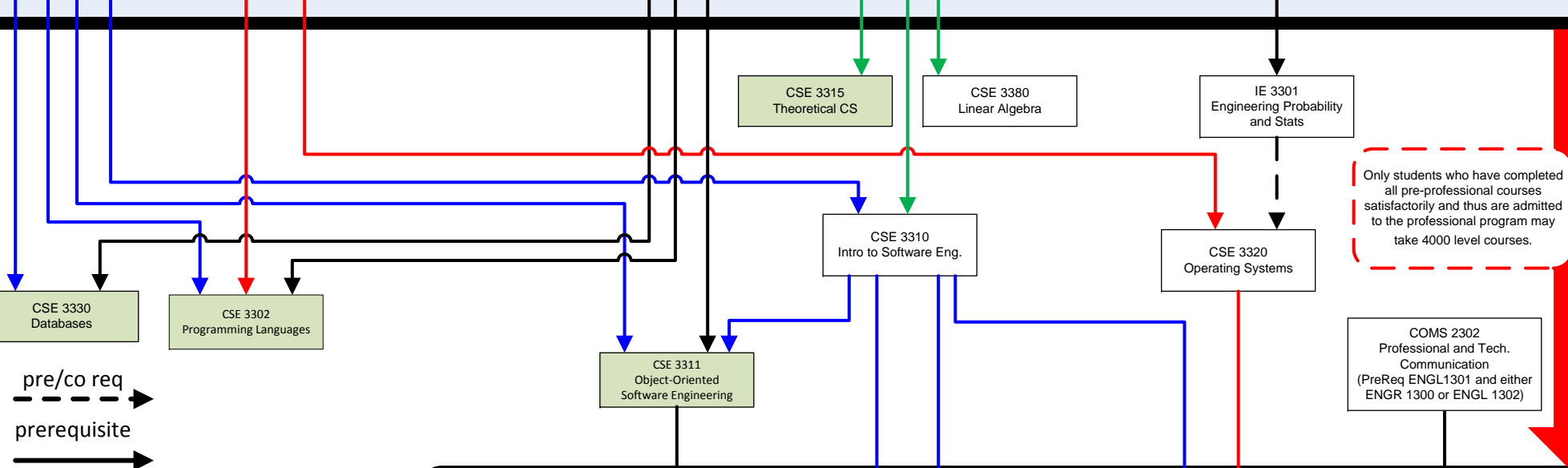
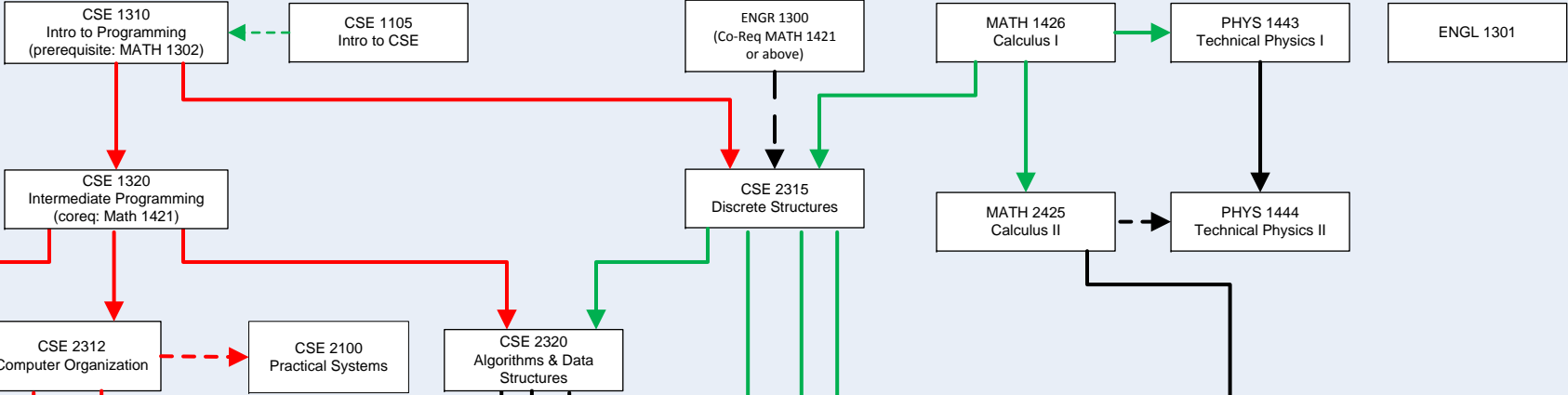


**Pre-Professional Courses**



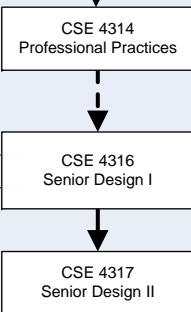
**4000 Level Courses**



**3 Technical Elective Courses**

[ ] [ ] [ ]

See list of approved courses in the Software Engineering Program Guide. Remember to check prerequisites.



The Senior Design courses must be taken in consecutive semesters: (Fall and Spring), (Spring and Summer), or (Summer and Fall). Spring and Fall is NOT an option.

**Foreign Language**  
If required, two semesters of the same language

- General Education**
- Language/Philosophy/Culture elective
  - HIST 1311
  - HIST 1312
  - POLS 2311
  - POLS 2312
  - Creative Arts elective
  - Social/Behavioral (IE 2308 or ECON 2305)

- Math and Science Electives**
- 3 hours of Math electives
  - 4 hours of Science electives
- See list of approved courses in SE Program Guide.