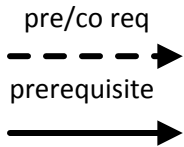
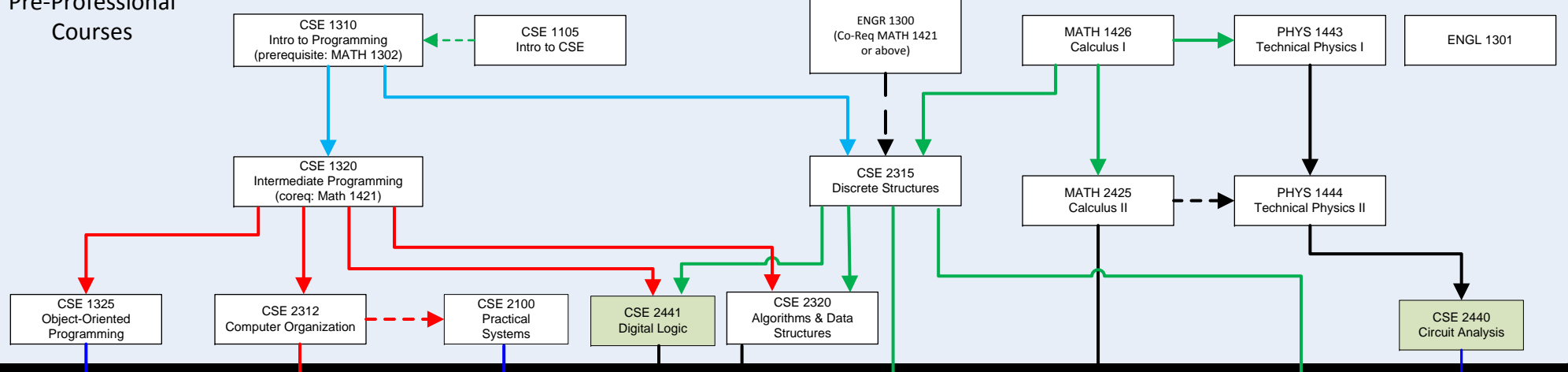


Pre-Professional Courses



Only students who have completed all pre-professional courses satisfactorily and thus are admitted to the professional program may take 4000 level courses.

COMS 2302 Professional and Tech. Communication (PreReq ENGL1301 and either ENGR 1300 or ENGL 1302)

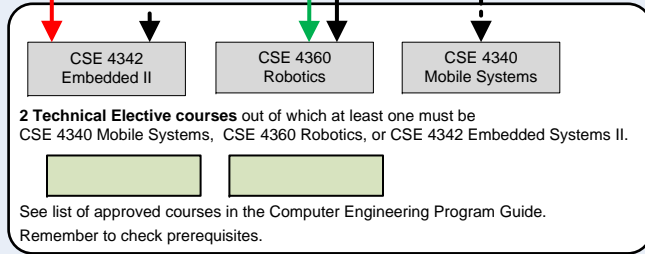
Foreign Language
If required, two semesters of the same language

- General Education**
- Language/Philosophy/Culture elective
 - HIST 1311
 - HIST 1312
 - POLS 2311
 - POLS 2312
 - Creative Arts elective
 - Social/Behavioral (IE 2308 or ECON 2305)

- Math and Science Electives**
- 3 hours of Math electives
 - 4 hours of Science electives

See list of approved courses in CpE Program Guide.

4000 Level Courses



2 Technical Elective courses out of which at least one must be CSE 4340 Mobile Systems, CSE 4360 Robotics, or CSE 4342 Embedded Systems II.

See list of approved courses in the Computer Engineering Program Guide. Remember to check prerequisites.

The Senior Design courses must be taken in consecutive semesters: (Fall and Spring), (Spring and Summer), or (Summer and Fall). Spring and Fall is NOT an option.